

CLEANING INSTRUCTIONS

- Never spray with liquids or submerge the appliance in water or any other liquid
- To clean,wipe with a slightly damp sponge

SERVICE

Hints Tips before running your clip fan:

- Check that your power outlet is working
- Check that **all** required switches are in the ON position
- Ensure that the plug is firmly placed in the socket and switched on

SPECIFICATIONS

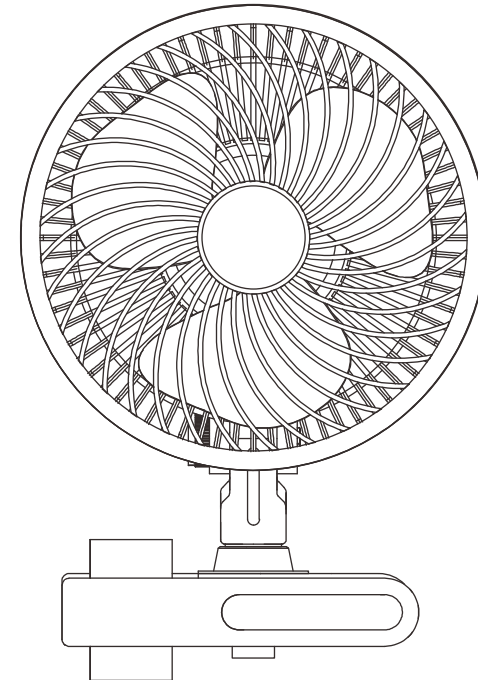
- Fan Blade: **6** inch (152mm)
- **Voltage:100-240VAC/50/60HZ**
- Power: **10W**
- **Speed: 2800RPM**
- **Air Volume : 330 CFM**
- **Noise : 32 dBA**
- Head Up-Down Tilting 120 degrees
- Grip Clip on 15 -**30**mm Grow Tent Pole
- Weight **0.6**kgs

WARRANTY

Your safety Clip Fan is guaranteed for 12 months from the date of purchase against any factory defects in material and workmanship.Should a failure occur within 12 months,please return it with the packaging and proof of purchase to your nearest Clicks store for a full refund or replacement

Please note that this guarantee does not cover wear-and-tear or damaged caused by overloading, negligence,accidental or improper use.Any attempt to repair the appliance while under the warranty period will invalidate the guarantee

OCR Vortex Guardian Clip Fan™



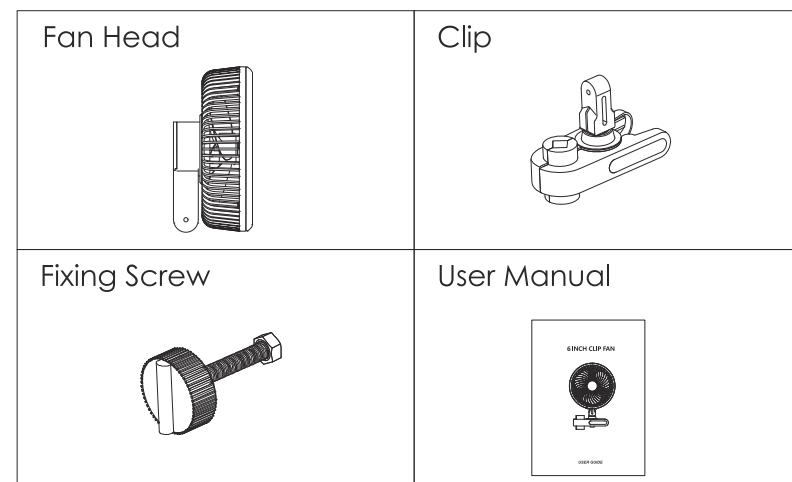
SAFETY PRECAUTIONS

- Never insert fingers, pencils or any other items through the fan guard when the unit is switched on
- Never leave the fan unattended while it is in use. Always turn the product to the OFF position and unplug it when not in use, when moving the fan from one location to another or when not in use, when moving the fan from one location to another or when cleaning the fan guards
- Always ensure that the fan is placed on a flat, dry and stable surface
- Do not plug/unplug the appliance into/from the electrical outlet or adjust any switches with wet hands
- Ensure that the appliance has been properly earthed before use
- Ensure that the fan is switched off from the supply mains before removing the guard/grille
- Take care to prevent liquid and objects from entering the appliance through openings
- Never use the appliance while in the bath, shower or in areas where it can come into contact with water. Never handle the appliance if it was dropped into water or any other liquid. Disconnect the appliance from the outlet and take it to a qualified technician for assessment of damage or repairs
- Never place the appliance or power cord on or close to sources of heat
- To unplug, grip the plug and remove it directly from the wall socket. Never disconnect by pulling the appliance's cord. Never carry the appliance by its cord. Never wrap the cord around the appliance
- Do not run the cord under carpeting and do not cover the cord with throw rugs, runners or the like. Arrange cord way from traffic area and where it will not be tripped over
- To prevent a possible fire hazard, do not block air intakes or outlets in any manner. Do not use on soft surfaces, like a bed, where openings may become blocked
- Make sure that the voltage indicated on the appliance corresponds with the mains voltage in your home. Connect the appliance to single-phase AC supply of the voltage specified on the rating plate. Click shall not be held liable for any failures owing to any discrepancy and such failure shall not be covered by the guarantee
- This appliance is designed for home use only and may not be used outdoors or for commercial or industrial purpose
- This appliance is not intended for use by persons (including children) with reduced physical, sensory or mental capabilities or lack of experience and knowledge, unless they have been given supervision

or instruction concerning the use of appliance by a person responsible for their safety extreme caution must be exercised

- Children should be supervision to ensure that they do not play with this appliance. Packaging must be never be left within reach of children since it is potentially dangerous
- Never use the appliance if the power cord or plug is damaged. If the appliance cord or plug is damaged through any means, do not open the appliance and do not attempt to repair it yourself
- Avoid the use of an extension cord as this may overheat and cause a risk of fire

OVERVIEW



FUNCTION

- 1: Press and hold the switch for 3 seconds to enter the power on and off functions.
- 2: Short press the switch and press the key to enter the gear selection (1-10 gears optional), and the corresponding indicator will light up, indicating the current gear of the fan.
- 3: Double-click to enter cycle mode. Any gear can be cycled. (1-10 gears then 10-1 for cycling).
- 4: If this product is equipped with a TYPE-C cable, plug in the TYPE-C cable and connect it to the main controller. This fan is controlled by the master controller. Manual pressing is ineffective.